



CAN AM DEFENDER HD11 REAR BUMPER INSTALLATION INSTRUCTIONS

Step 1

Begin the installation at the rear of the vehicle by removing the four bolts securing the silver heat shield. Carefully bend the heat shield downward to provide better access to the bed frame rails.



Next, remove the push pin and single wire running along the passenger-side bed frame rail. This will allow the bracket to sit flush against the bed frame.

Step 2

Locate the driver-side and passenger-side bumper brackets. Begin with the driver-side bracket and position it as shown in the image below.



Use a C-clamp to secure the bracket in place, ensuring it is pushed as far back on the frame as possible. Once properly aligned, mark the four hole locations.

Note: The passenger-side bracket includes two additional holes for securing wiring with zip ties.

Repeat this process on both sides of the vehicle, then proceed to the next step.

Step 3

Because the bed plastic blocks access, you won't be able to drill completely through the bed frame tubing from one side.

To transfer the mounting hole locations, hold the passenger-side bracket against the driver-side bed frame, and the driver-side bracket against the passenger-side bed frame. This will allow you to mark the hole locations on both sides of the bed frame tubing.

Once the slots are marked, use a center punch to mark the center of each hole location. Pre-drill all marked locations with a 1/8" drill bit. Then enlarge each hole in the bed frame sides using a 1/4" drill bit.

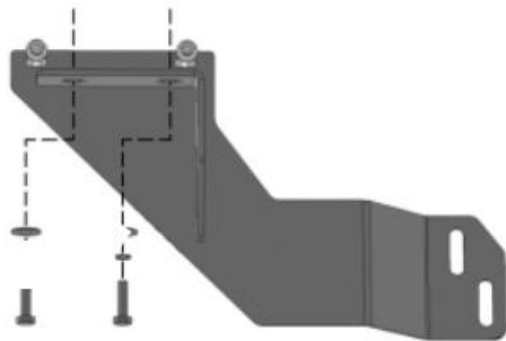
The four bottom holes that face downward will need to be enlarged to accept the squish nuts. Drill these four holes with a 7/16" drill bit.



Step 4

After drilling the bottom holes locate the 4 squish nuts and you squish nut tool and install all 4 with supplied tool shown.

Next, you can now install the brackets and hardware finger tight as you will need to adjust later on to be sure its level and square to the body.



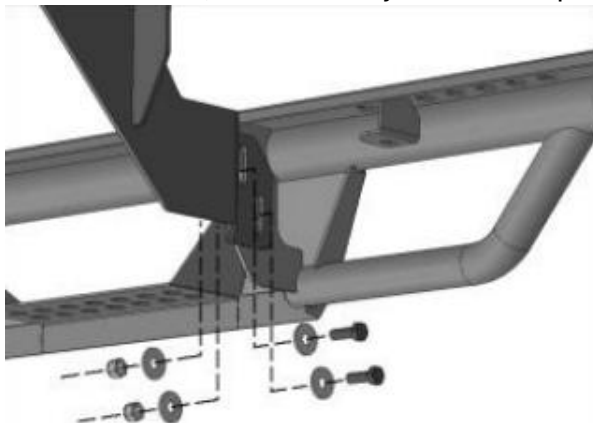
Step 5

With assistance, lift the rear bumper assembly into position against the inside of the mounting brackets. Temporarily support the weight of the bumper.

Attach the bumper to the mounting brackets using the supplied hardware:

(4) 10mm x 30mm hex bolts, (8) 10mm flat washers, (4) 10mm lock washers, and (4) 10mm hex nuts. Snug the hardware, but do not fully tighten at this time.

Once installed, level and adjust the bumper as needed, then fully tighten **ALL** hardware.



Please feel free to reach out to us if you have any questions or concerns.



CUSTOMERSERVICE@ZBROZRACING.COM

435-753-7774